

Y-type flanged strainers

APPLICATION

Y-type flanged strainer is used for mounting in technological pipelines. It is dedicated for LP Gas filtration and for stopping solid particles from entering downstream sections of piping. It protects devices mounted in the system against damages resulting from the presence of debris and solid particles.

Nominal diameter: from 25 to 200 mm.

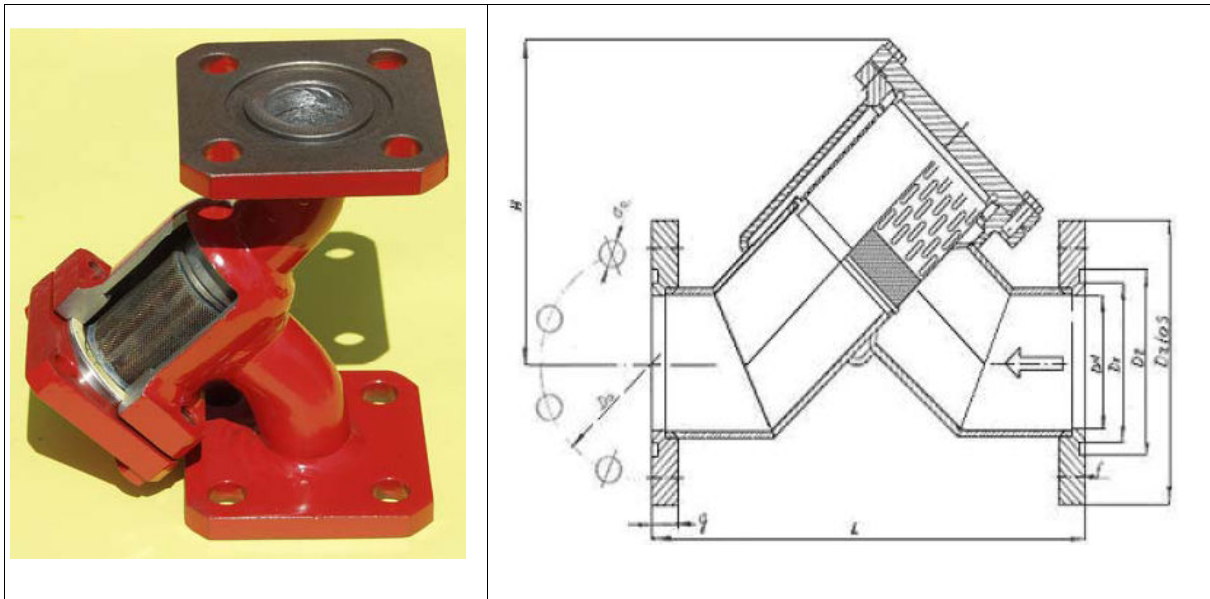
Medium: LPG.

Working temperature: -40°C to +135°C.

Working pressure: up to 2,5 MPa. At temperatures between -40°C to -30°C working pressure to 1,2 MPa.

Filtration precision: 0,5 mm.

Strainers

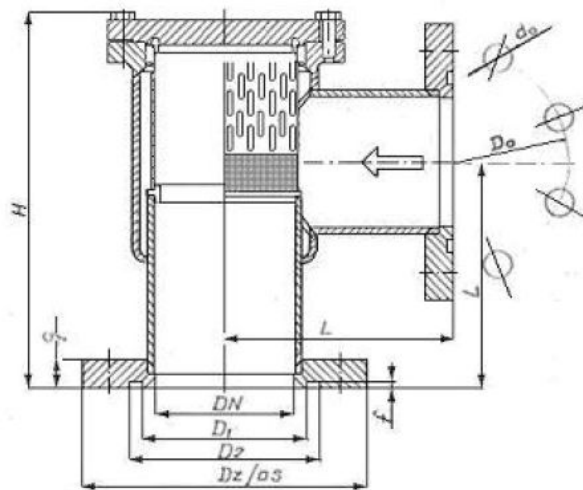


Sizes

Model	DN [mm]	L [mm]	H [mm]	Do [mm]	Dz [mm]	do [mm]	g [mm]	i [mm]	Weight [kg]	Cat. No
FWPk 25	25	160	96	85	115	14	18	4	3,5	12.1195
FWPk 50	32	180	125	100	140	14	18	4	5,2	12.1196
FWPk 40	40	200	135	110	150	18	18	4	5,9	12.1197
FWPk 50	50	230	160	125	165	18	20	4	8,6	12.1198
FWPk 65	65	290	180	145	185	18	22	4	13,7	12.1199
FWPk 80	80	310	215	160	200	18	24	8	17,8	12.1200
FWPk 100	100	350	247	190	235	22	24	8	27,4	12.1201
FWPk 125	125	400	295	220	270	26	26	8	37,6	12.1202
FWPk 150	150	480	340	250	300	28	28	8	54,0	12.1203
FWPk 200	200	600	430	310	360	28	30	8	87,0	12.1204

Strainers of diameters from 25 to 50 mm have round or square flanges. Strainers of bigger than 50 mm size are equipped with round flanges.

Angle-type strainers



Sizes

Model	DN [mm]	L [mm]	H [mm]	Do [mm]	Dz [mm]	Do [mm]	G [mm]	I [mm]	Weight [kg]	Cat. No
FWKk 25	25	100	167	85	115	14	18	4	2,8	
FWKk 32	32	105	180	100	140	14	18	4	5,1	
FWKk 40	40	115	190	110	159	18	18	4	5,8	
FWKk 50	50	125	220	125	265	18	20	4	8,4	
FWKk 65	65	145	254	145	185	18	22	8	14,2	
FWKk 80	80	155	283	160	200	18	24	8	18,0	
FWKk 100	100	175	340	190	235	22	24	8	26,3	
FWKk 125	125	200	356	220	270	26	26	8	37,5	
FWKk 150	150	225	390	250	300	26	28	8	52,0	
FWKk 200	200	275	500	310	360	28	34	8	75,1	

Angle type strainers of diameters from 25 to 50 mm have round or square flanges. Strainers of bigger than 50 mm size are equipped with round flanges.