

DIRECT FIRED

LPG Vaporizer



DIRECT FIRED

the power of innovation



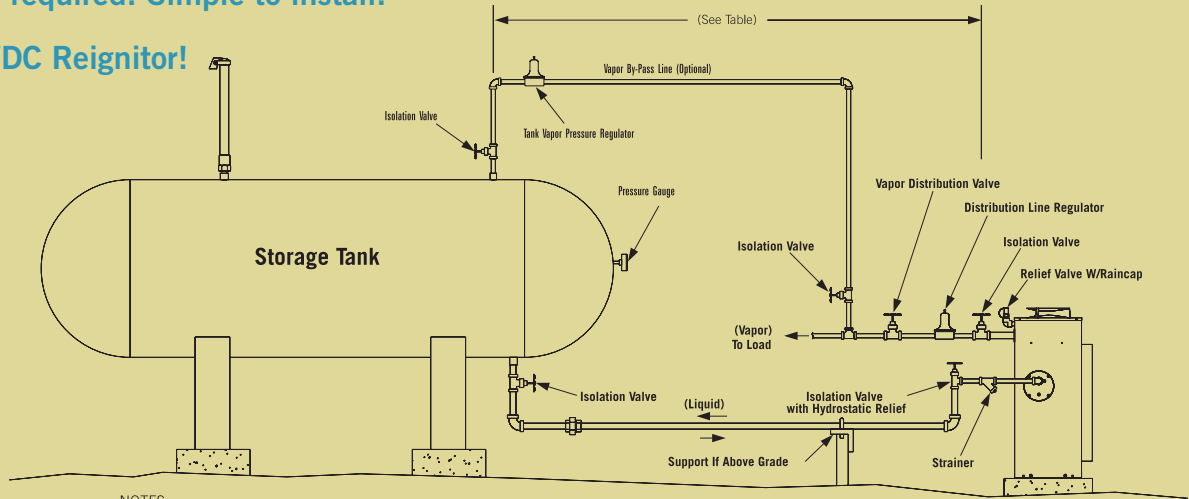
Algas-SDI Direct Fired vaporizers are designed to convert liquid LPG to LPG vapor for a variety of applications.

No electricity required! Simple to install!

Now with 9 VDC Reignitor!

Table

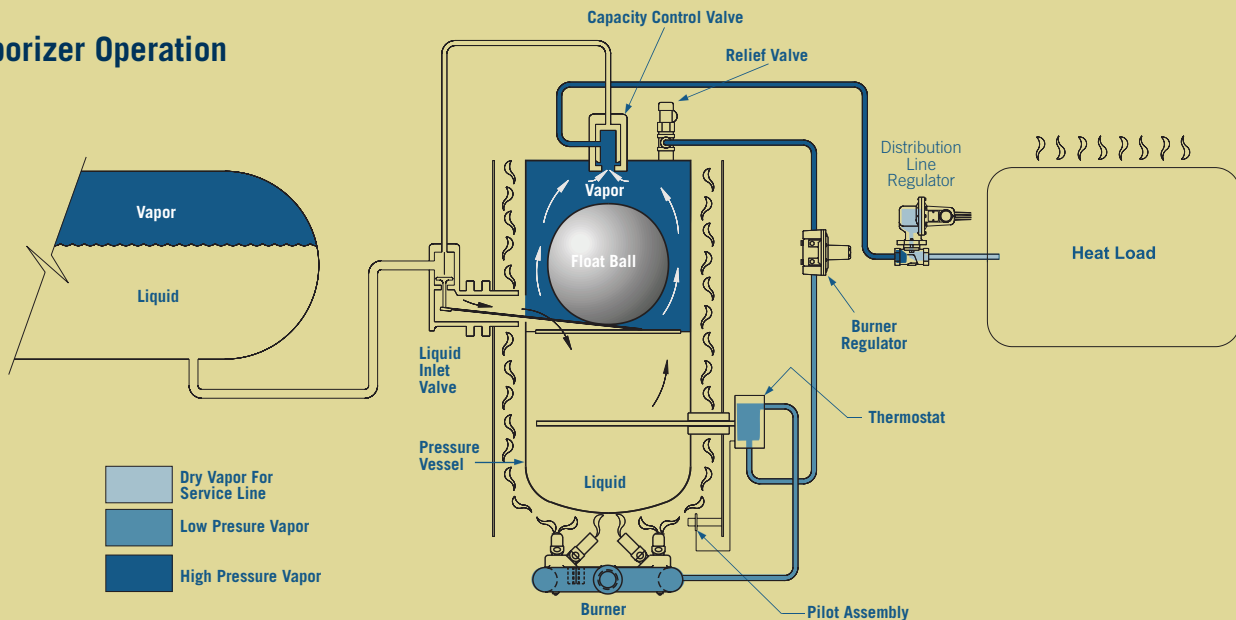
Exposure	Minimum Distance From Vaporizer Required
Storage tank	10 feet/3M
Storage tank shutoff	15 feet/4.5M
Point of transfer	15 feet/4.5M
Nearest important building or group of buildings or line of adjoining property which may be built upon (except buildings in which vaporizer is installed)	25 feet/7.6M



NOTES:

- 1) Hydrostatic head not to be exceeded by liquid piping losses.
- 2) Install Vaporizer Distribution Line Regulator upstream of Tank Vapor pressure connection point.
- 3) Set Distribution Line Regulator 2-4 PSIG/.14kg/cm²-.281kg/cm² higher than Tank Vapor Pressure Regulator set point.
- 4) No check valves in Liquid Line; liquid must be able to flow both directions.

Vaporizer Operation



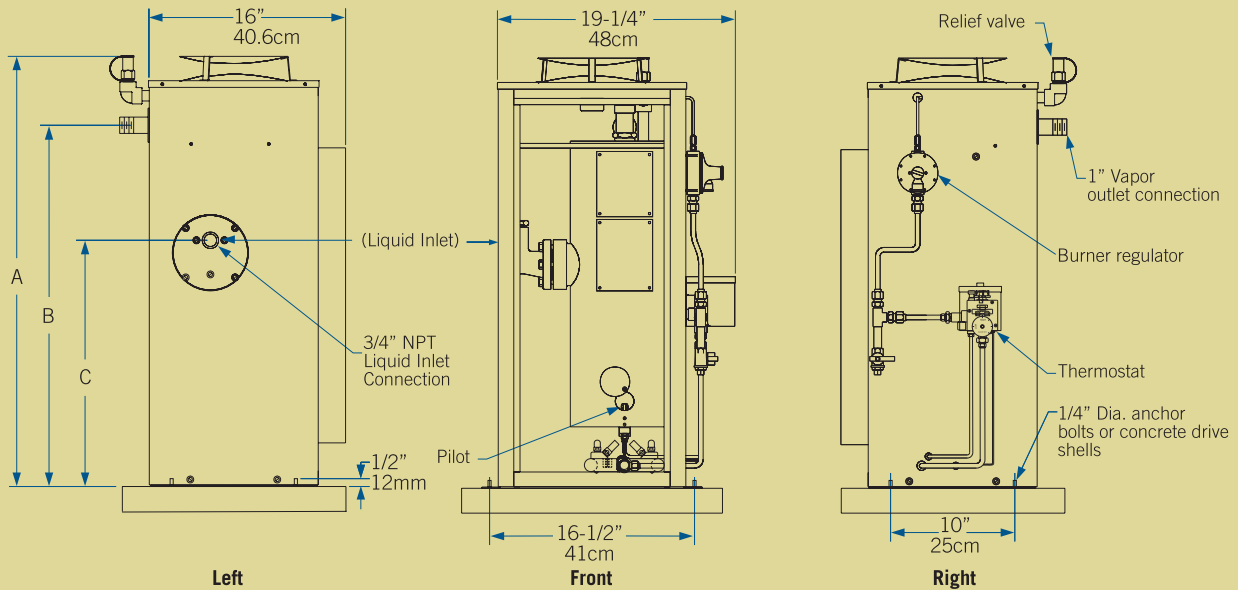


Direct Fired vaporizers are used in a wide variety of applications such as crop drying, construction heating, greenhouses and poultry farms. The Direct Fired vaporizer can also operate in conjunction with a mixer to provide a standby system with uninterrupted LPG supply at peak capacity.

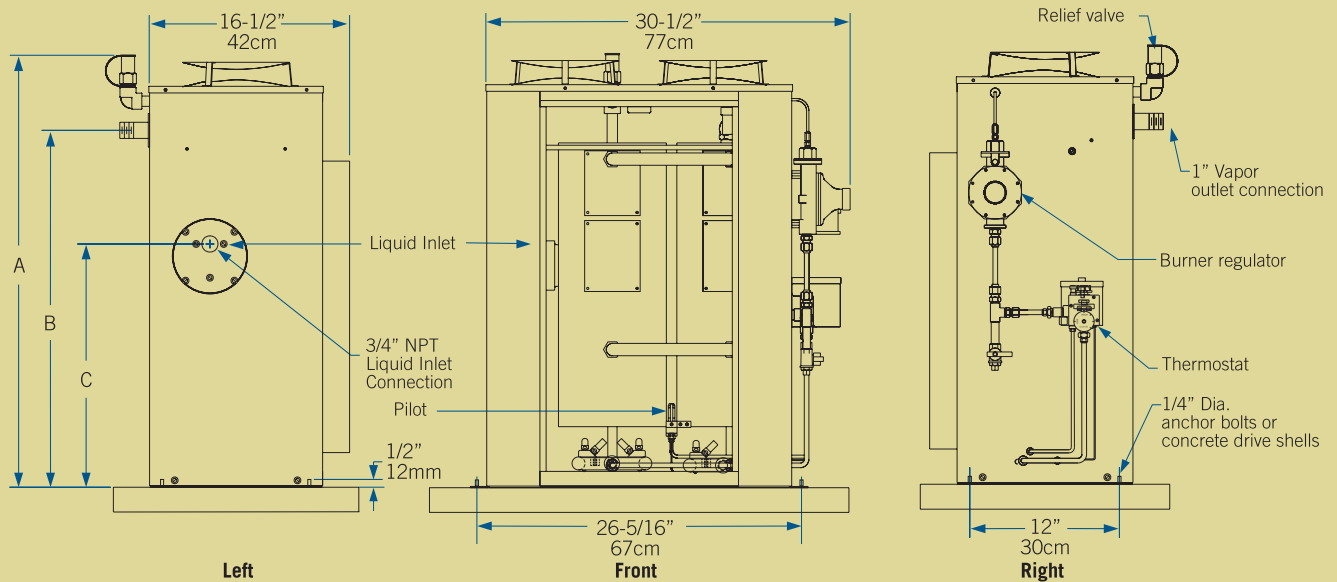
DIMENSIONS

	A	B	C
40/40H	35" (89 cm)	29" (74 cm)	19-3/4" (50 cm)
80/40H	35" (89 cm)	29" (74 cm)	19-3/4" (50 cm)
120/60H	44" (112 cm)	38" (96.5 cm)	28-1/2" (72 cm)

40/40H VAPORIZER



80/40H and 120/60H VAPORIZERS





DIRECT FIRED SPECIFICATIONS

Model	40/40H	80/40H	120/60H
Vaporizer Type	Feed Through	Feed Through	Feed Through
Vaporization Capacity			
lbs/hr	176	352	528
kg/hr	80	160	240
million Btu/hr	3.64	7.28	10.92
million kcal/hr	0.91	1.83	2.75
U.S. Gal/hr (nominal)	40	80	120
Heat Exchanger			
Surface Area, ft ²	0.51	1.02	1.53
m ²	0.047	0.94	1.41
Design Pressure, psig	250	250	250
kg/cm ²	17.6	17.6	17.6
Burner Heat Input			
BTU/hr	51,360	102,720	154,080
kcal/hr	12,945	25,885	38,828
Relief Valve Set Point			
psig	250	250	250
kg/cm ²	17.6	17.6	17.6
Shipping Weight			
lbs.	155	220	275
kg.	70.3	99.8	125
Shipping Dimensions			
in. (Depth x Height x Width)	21" x 41" x 22"	21" x 41" x 35"	21" x 50" x 35"
cm. (Depth x Height x Width)	53 x 104 x 56	53 x 104 x 89	53 x 127 x 89
Approvals	CE, PED (DNV), UL (U.S. and Canada)		
Optional Accessories*	Automatic Ignition Kit available in 110V AC Economy Operation Kit, Filtaire Heavy Ends Filter, Relief Valve Pipe Away Adapter		

*9 VDC Reignitor Standard on all Models



151 South Michigan Street
Seattle, Washington
USA 98108
Phone: 206-789-5410
FAX: 206-789-5414
www.algas-sdi.com

Contact Your Distributor Today:



ECLIPSE
Algas • SDI
Form DF-0307