

Level Gauges

APPLICATION

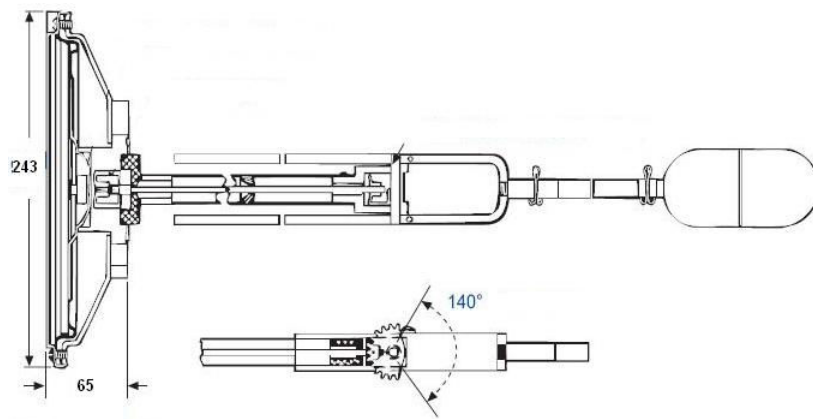
Magnatel 6300-series float level gauges define the extent of filling of stationary tanks in %. A level gauge for mounting in transportation tanks is also available, and it is equipped with shock absorbing device. 4" and 8" dials used in Rochester level gauges are clear and durable. If necessary, the dial can be easily dismantled and exchanged, without the necessity of opening the tank. A wide range of materials can be used for manufacturing of level gauges, what allows using the gauges for various services.



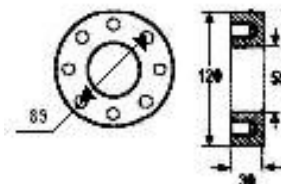
There are four main versions of Magnetic level gauges:

- 6336** – Has a dial of 100 mm [4"] and is designed for top mounting
 - 6360** – Has a dial of 200 mm [8"] and is designed for top mounting
 - 6339** - Has a dial of 100 mm [4"] and is designed for side or angle mounting
 - 6342** - Has a dial of 200 mm [8"] and is designed for side or angle mounting
- Special series **M6300** –Has an indicator 100mm [4"] and is designer for mobile applications (transportation tanks)

Working pressure of level gauges: up to 31 bar



Size of connection flange:



Level gauges meet requirements of directive TPED(99/36/EC).